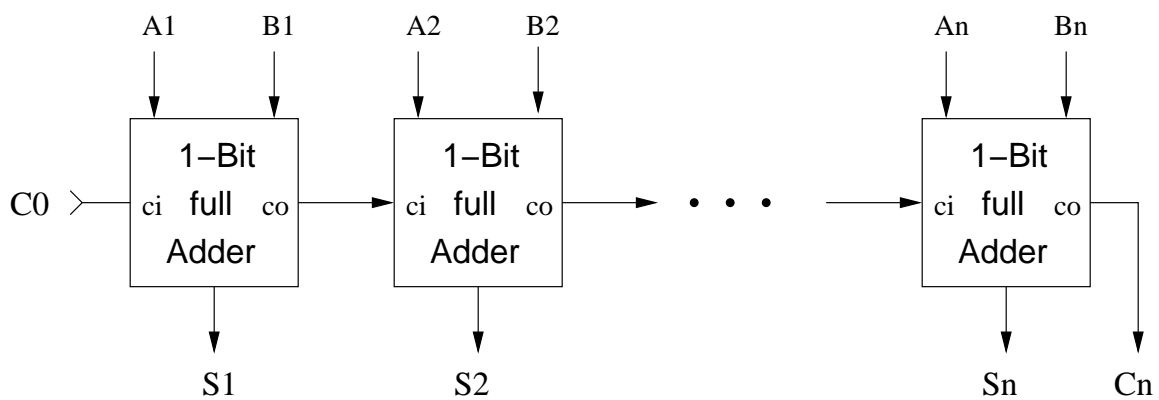


N-Bit Ripple-Carry Adder



Features:

Identical unit cells

Simple and scalable

Propagation delays accumulate

Worst Case propagation delay: $T_{\max} = n \times T_{pd} \text{ (carry)}$