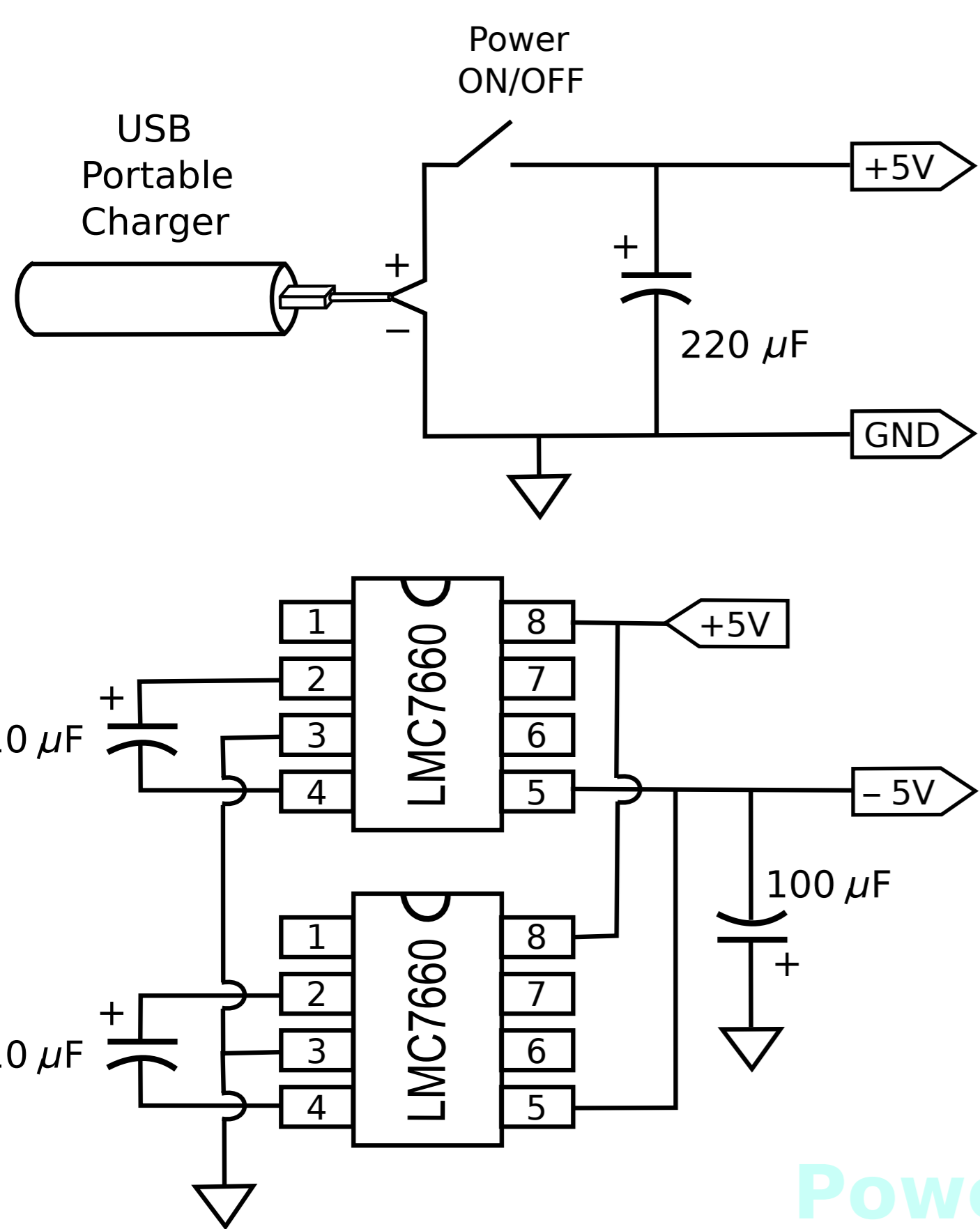
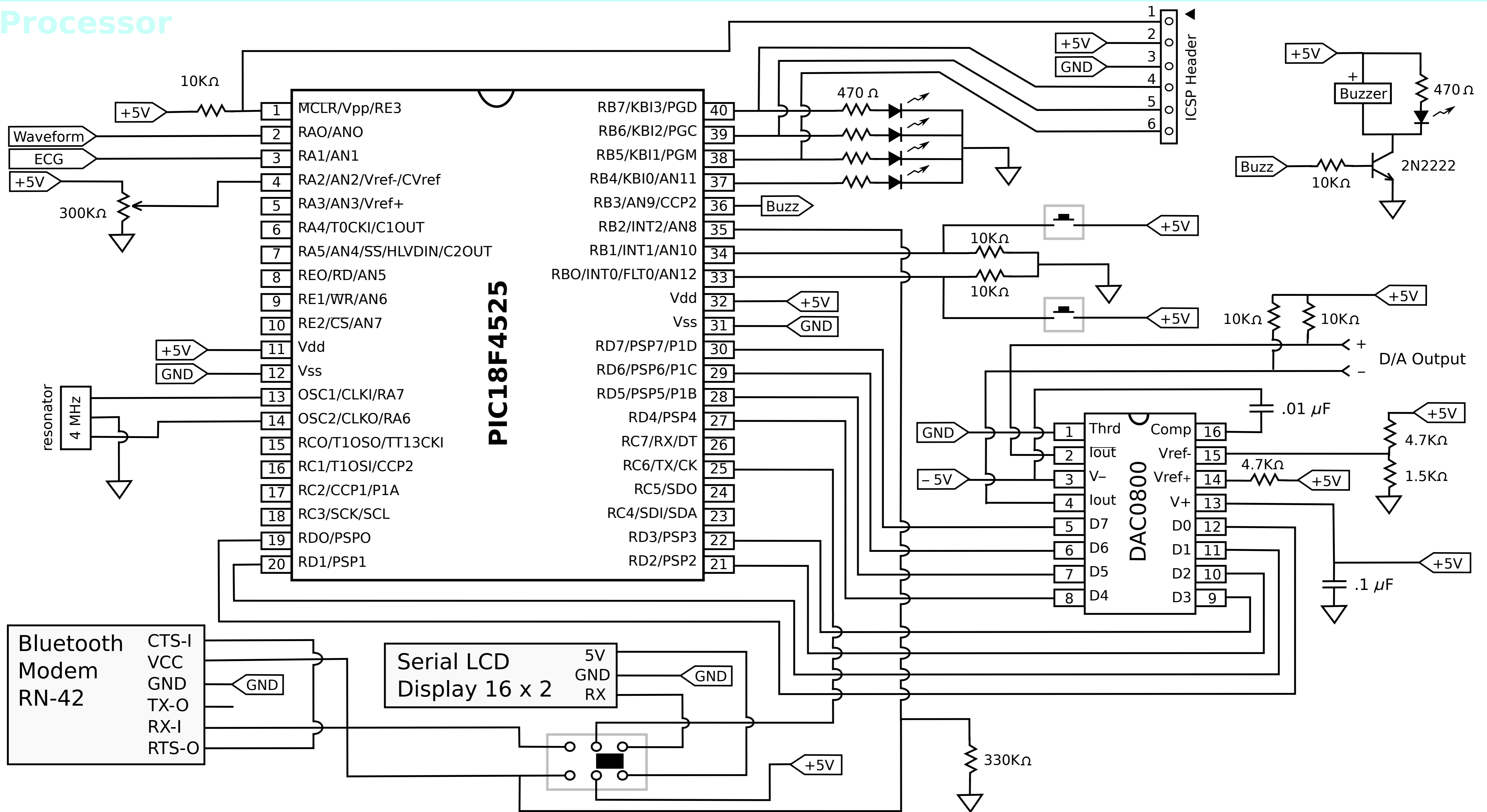


BME 361 Biomeasurement Laboratory

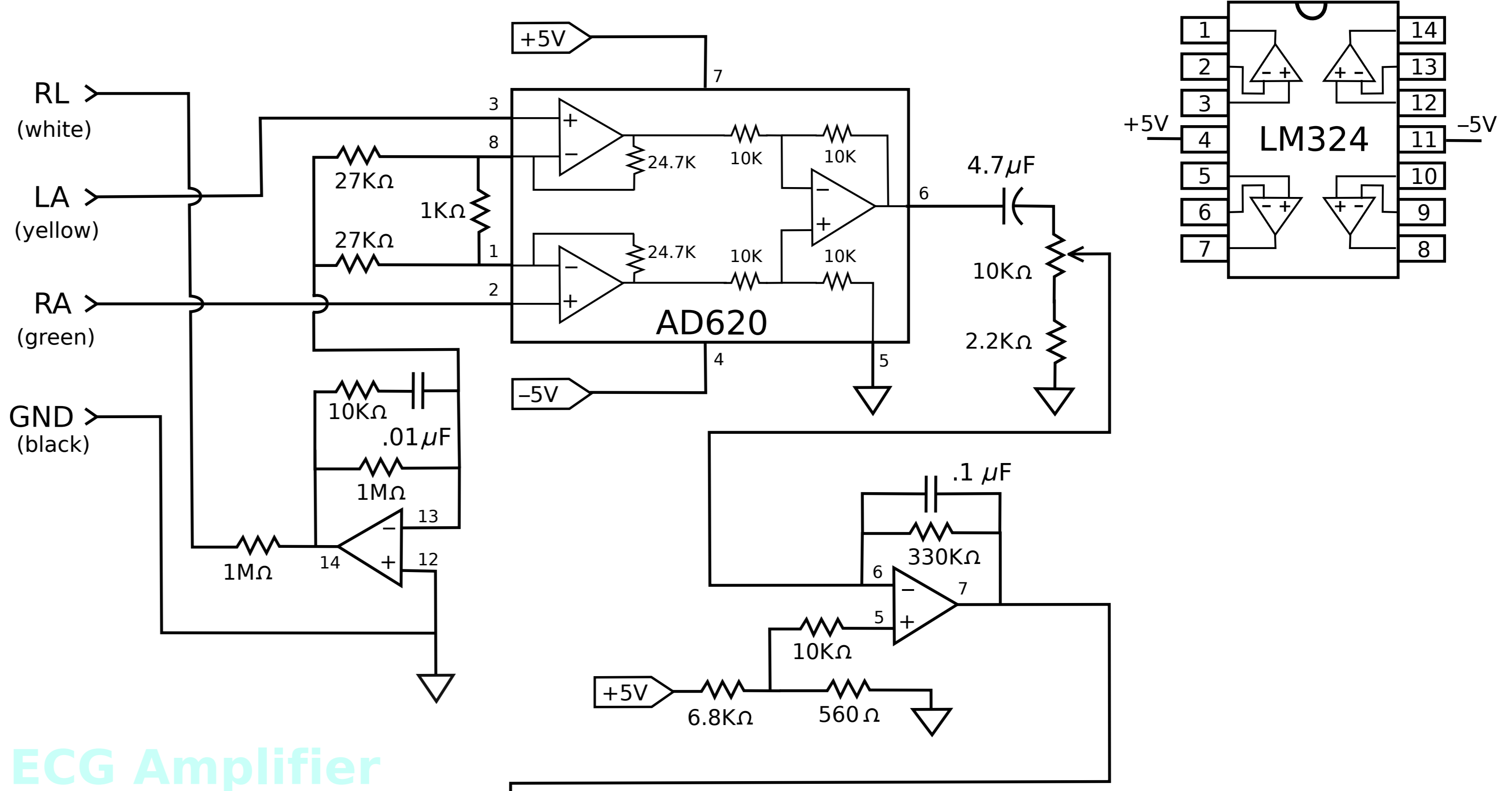
Biomedical Engineering Program
University of Rhode Island

Copyright © 2018

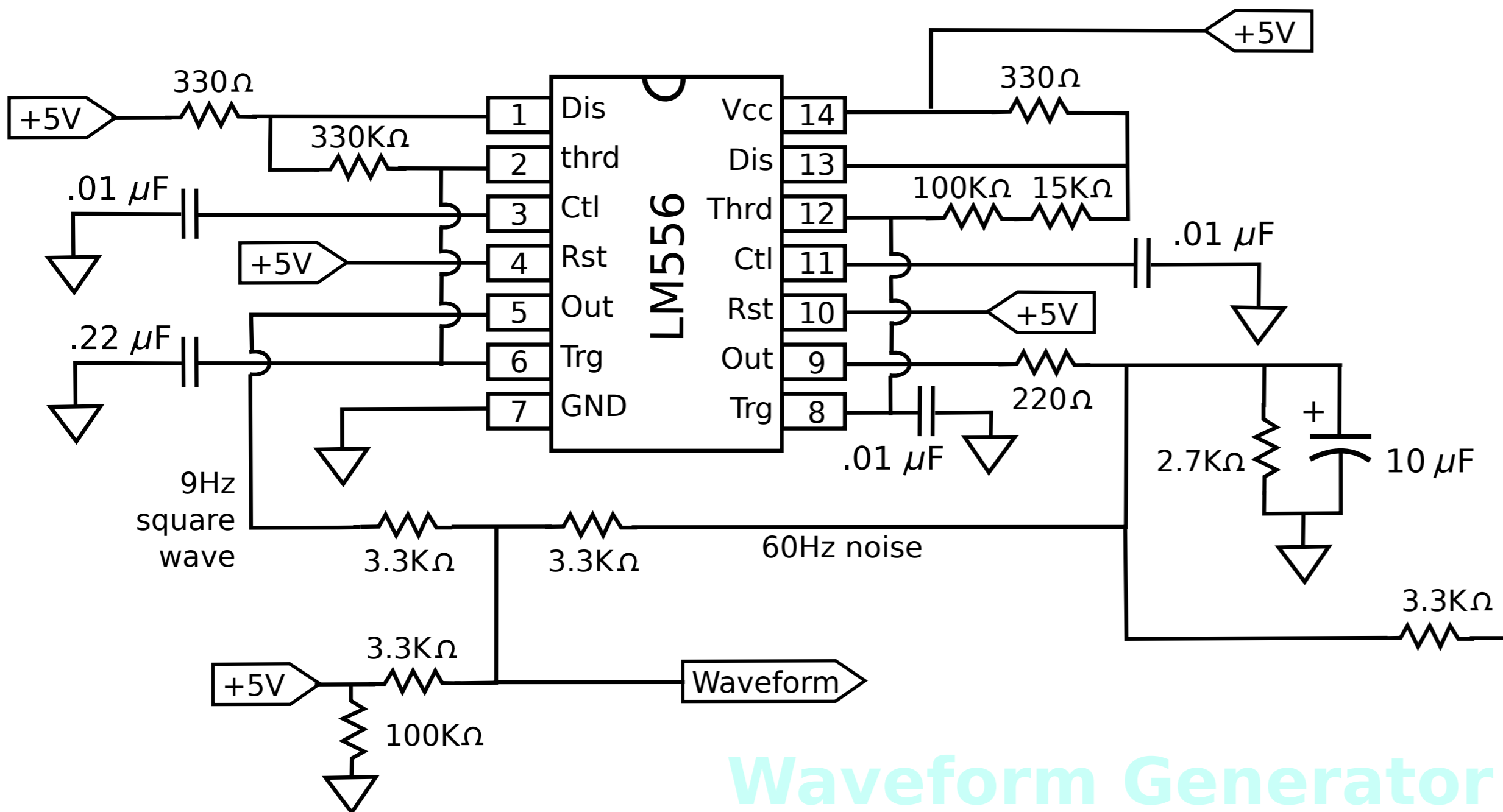
Processor



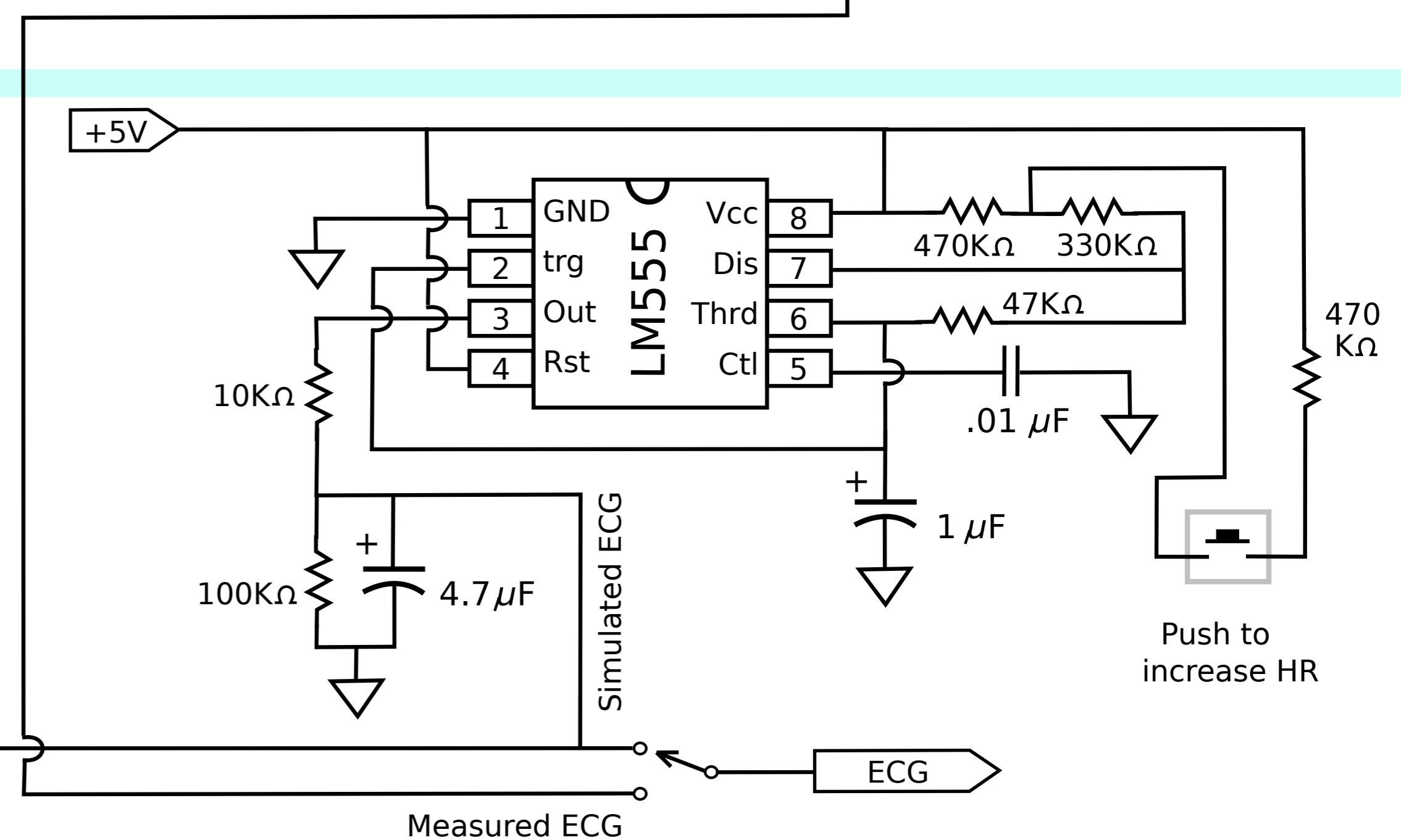
Power



ECG Amplifier



Waveform Generator



Analog ECG Simulator