

NEW

# EDR 1A WITH DIODE SERIES

## 1. FEATURES:

- 1-1: Miniature, cost-effective switching solution
- 1-2: State-of-the-art capsule designs.
- 1-3: Molded construction for compatibility with automatic board processing
- 1-4: Epoxy-molded dual-in-line package.
- 1-5: Completely washable.



## 2. SPECIFICATIONS

2-1 Coil Rating:

Nominal Voltage(v)	Max. Operate Voltage(v)	Pull-in Voltage(v)	Dropout Voltage(V)	*Coil Resistance(Ω)	Nominal input power (mW)
DC5	16	3.75	0.8	500±10%	50
DC12	20	9.00	1.0	1000±10%	144
DC24	32	18.00	2.0	2150±10%	268

\*Special design are available on request

2-2 Contact Rating:

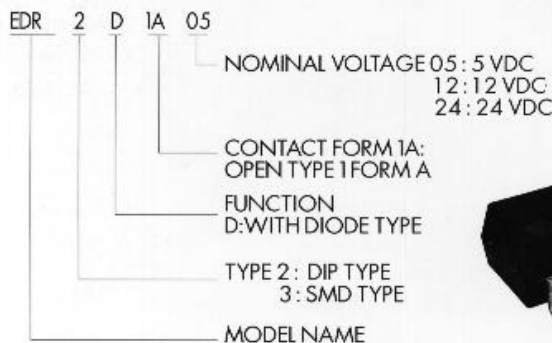
Switching Current	0.5 Adc Max.
Carry Current	10 Adc Max.
Switching Power	10 VA Max.
Electrical Life	100x10 <sup>3</sup> (Ref 10VDC,10mA)
Contact Resistance	150mΩ Max.
Contact Form	1 Form A
Operate Time	10ms Max. including Bounce Time
Release Time	10ms Max. including Bounce Time
Maximum Voltage	100VDC
Insulation Resistance	10 <sup>10</sup> Ohms min.

2-3: Dielectric strength:  
1400 VDC Between Coil And Contact  
250 VDC Between Contacts

2-4 Temperature Range:  
Operating Temp: -40°C to +85°C  
Storage Temp: -55°C to +125°C

2-5 Shock Resistance:  
30g min.

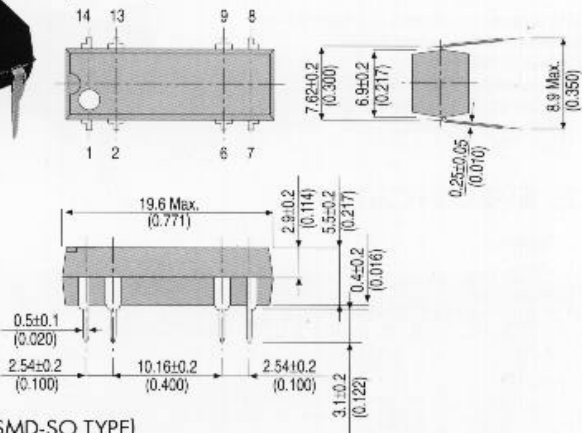
## 3. PART NUMBERING SYSTEM:



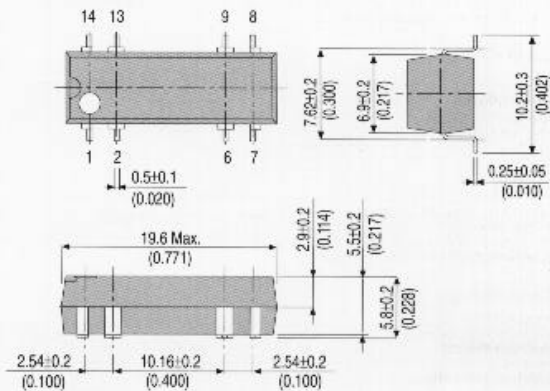
## 4. DIMENSIONS

Unit: mm(inch)

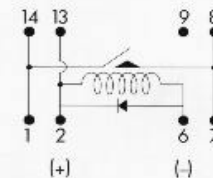
(DIP TYPE)



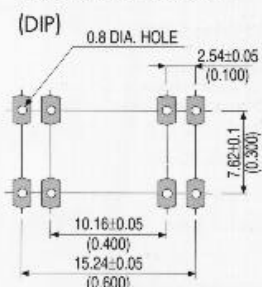
(SMD-SO TYPE)



Wiring Diagram  
1 FORM A



P.C.B Layout (Top View)



(SMD-SO TYPE)

