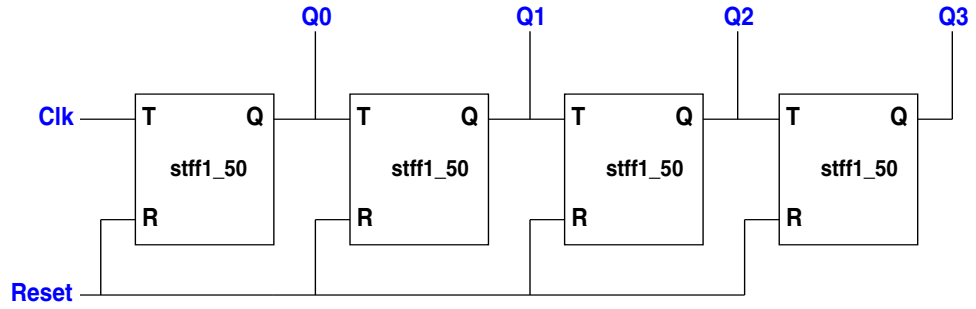
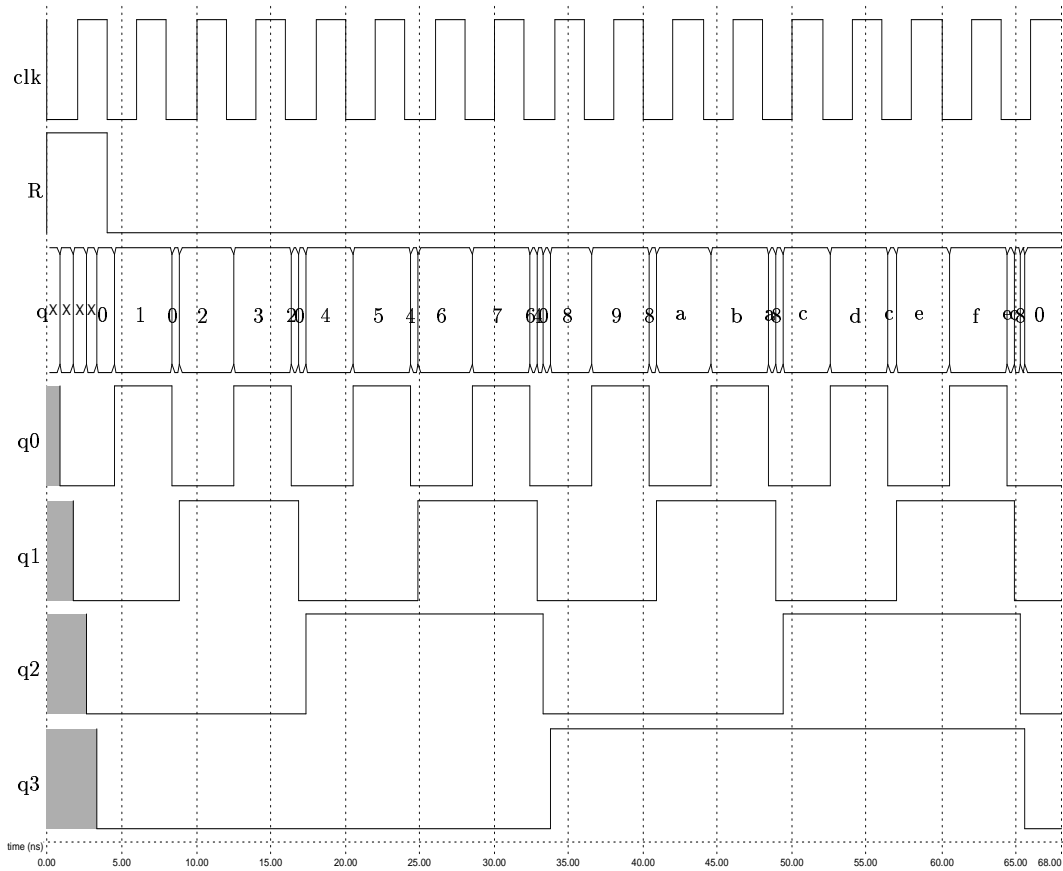


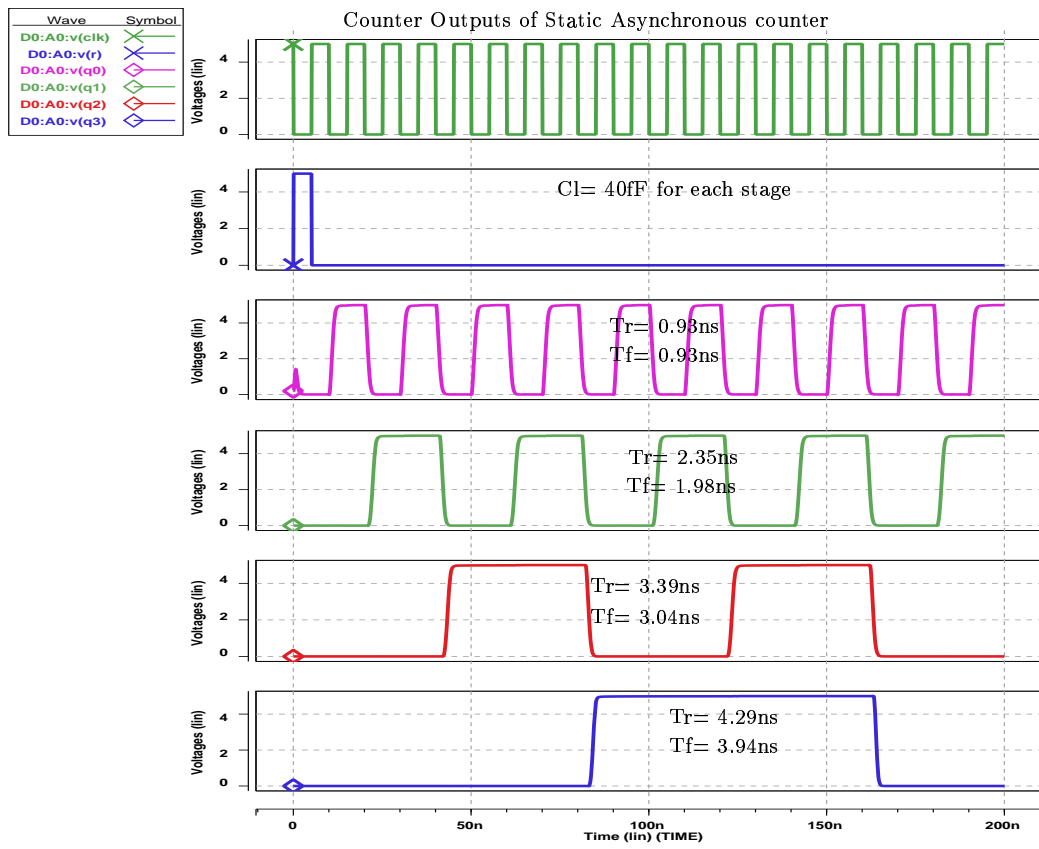
ascntr2_50



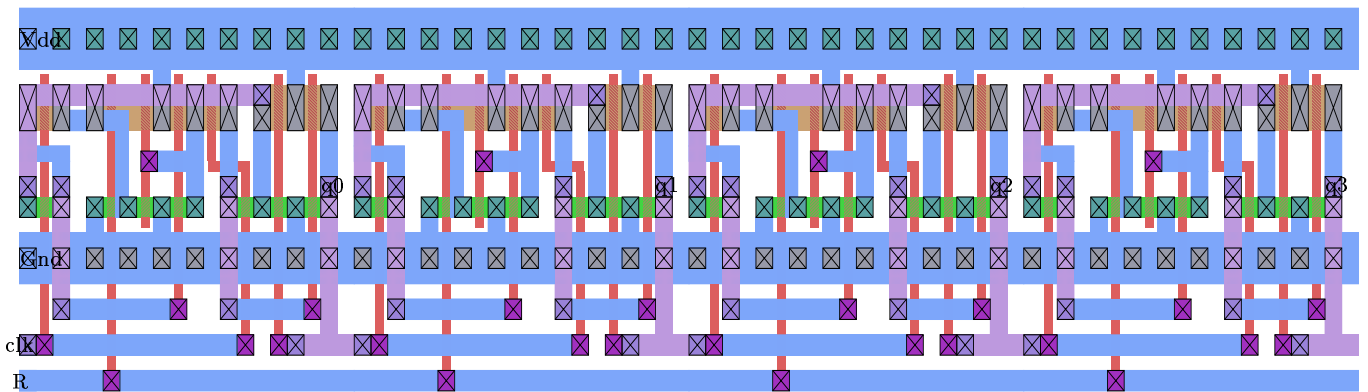
Schematic for Static Asynchronous Counter



Irsim plot created from ascntr2_50



Hspice file created from ascntr2_50



Magic plot for ascntr2_50