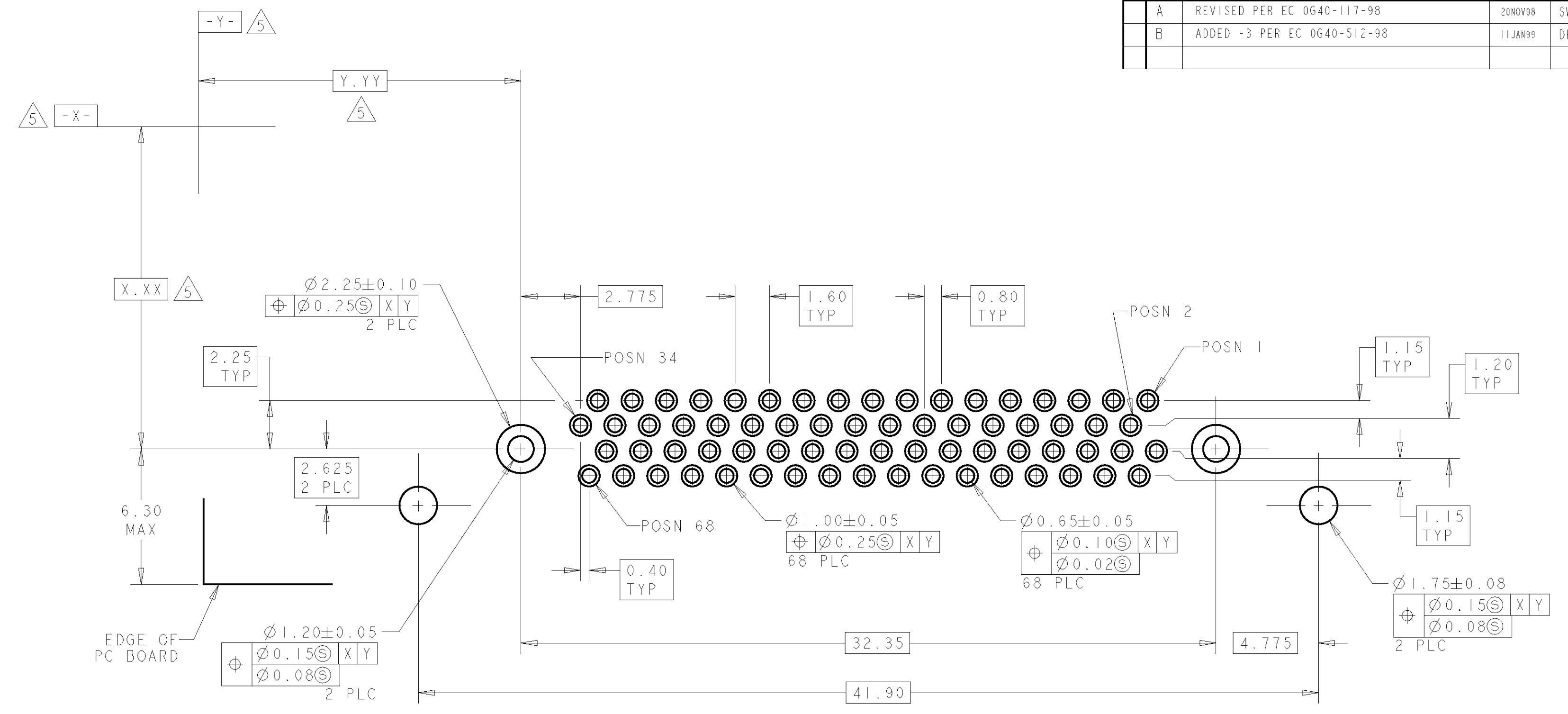
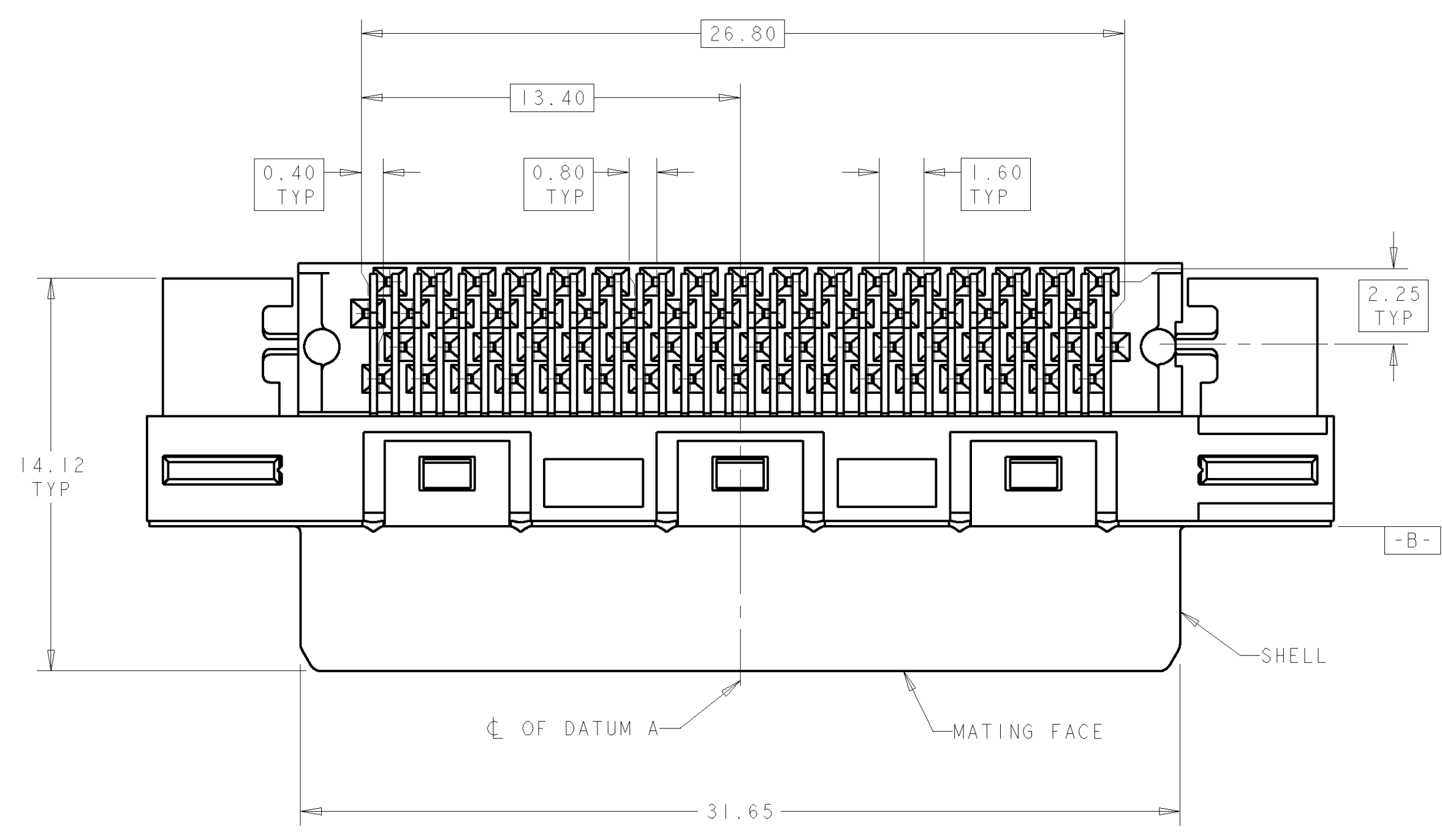
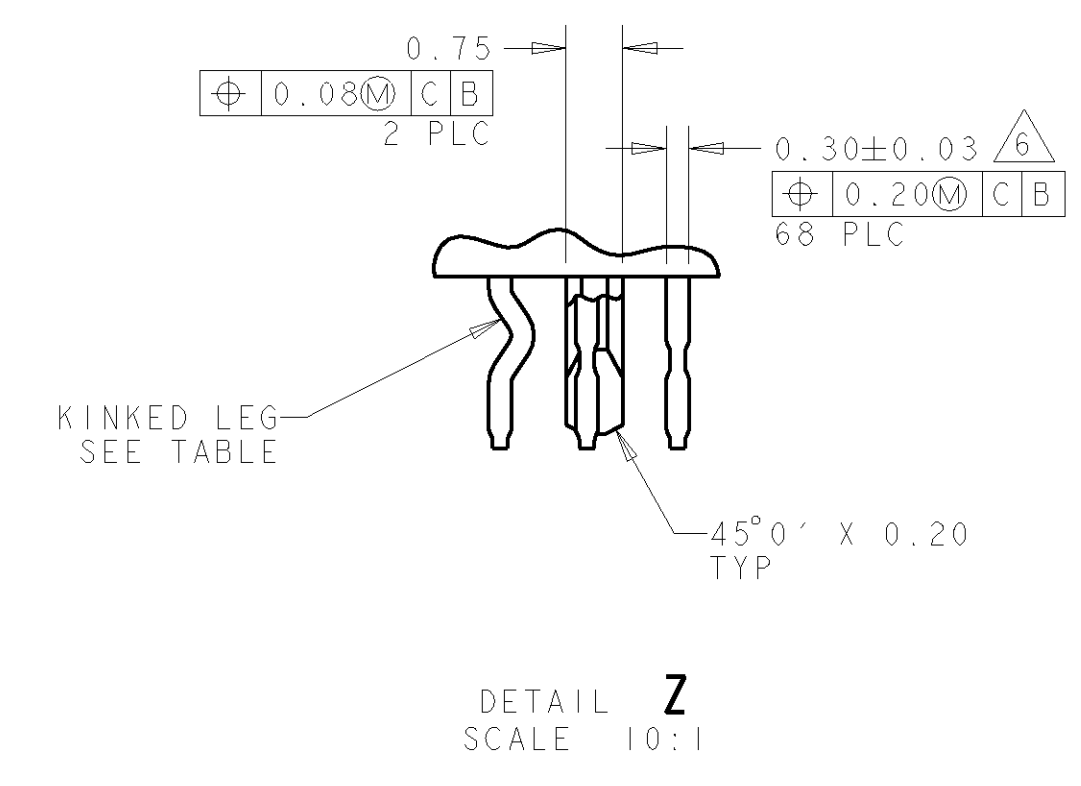
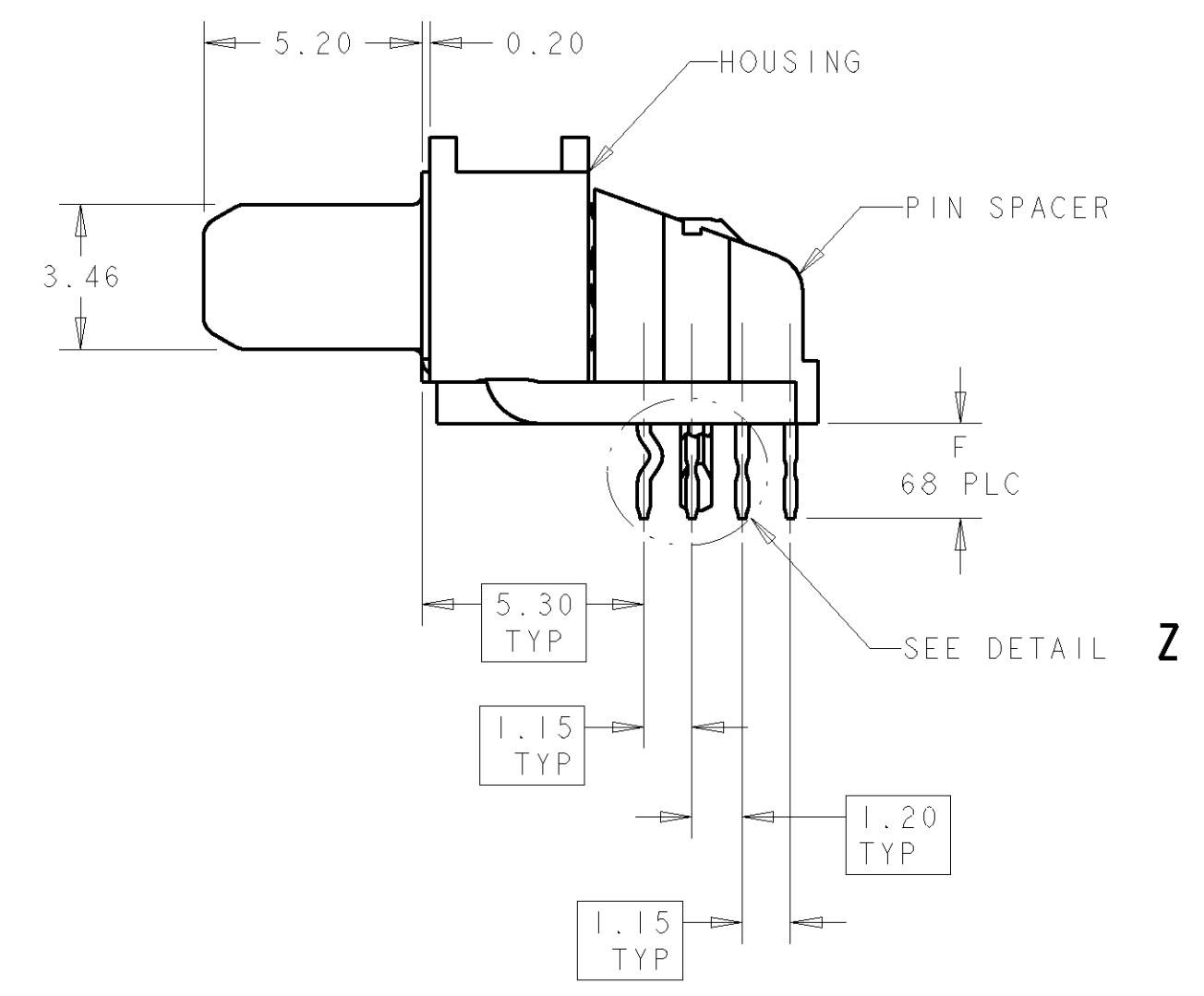
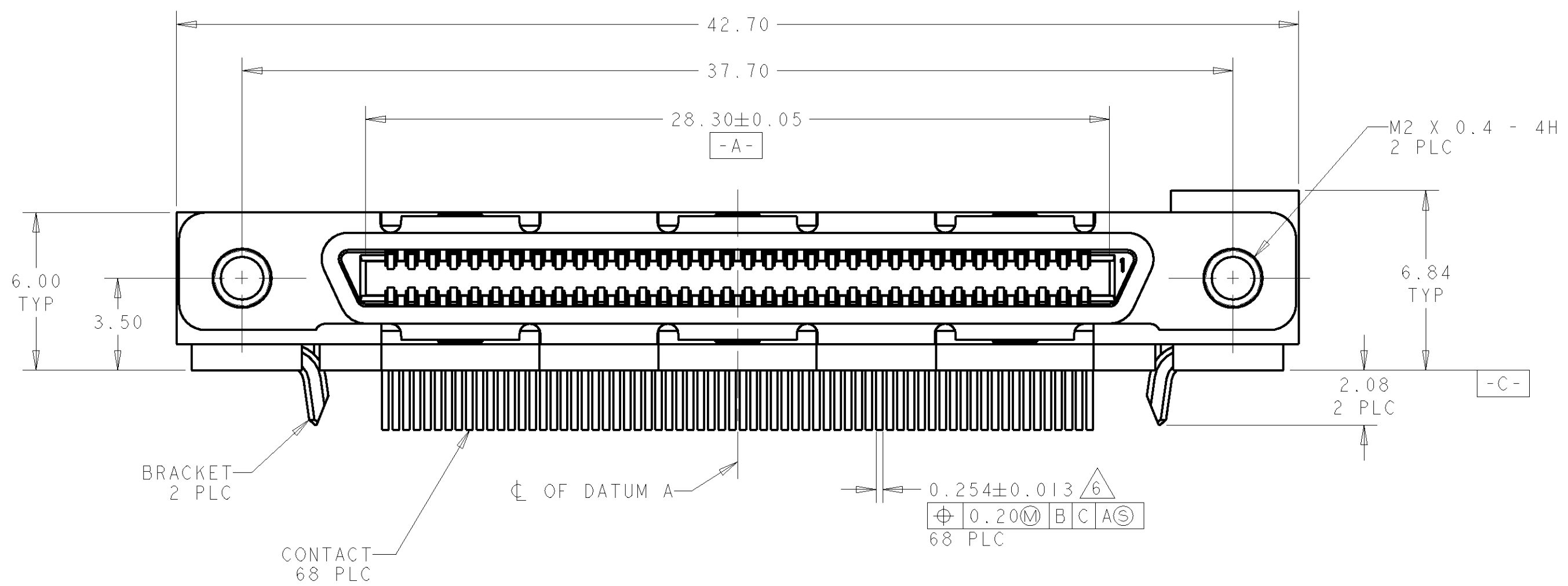


LOC	DIST	REVISIONS			
REV	LTN	DESCRIPTION	DATE	DNW	APPD
0		RLSE NPR 110, WAS 97-4735-3	06APR98	SW	TB
A		REVISED PER EC 0640-117-98	20NOV98	SW	TB
B		ADDED -3 PER EC 0640-512-98	11JAN99	DH	TB

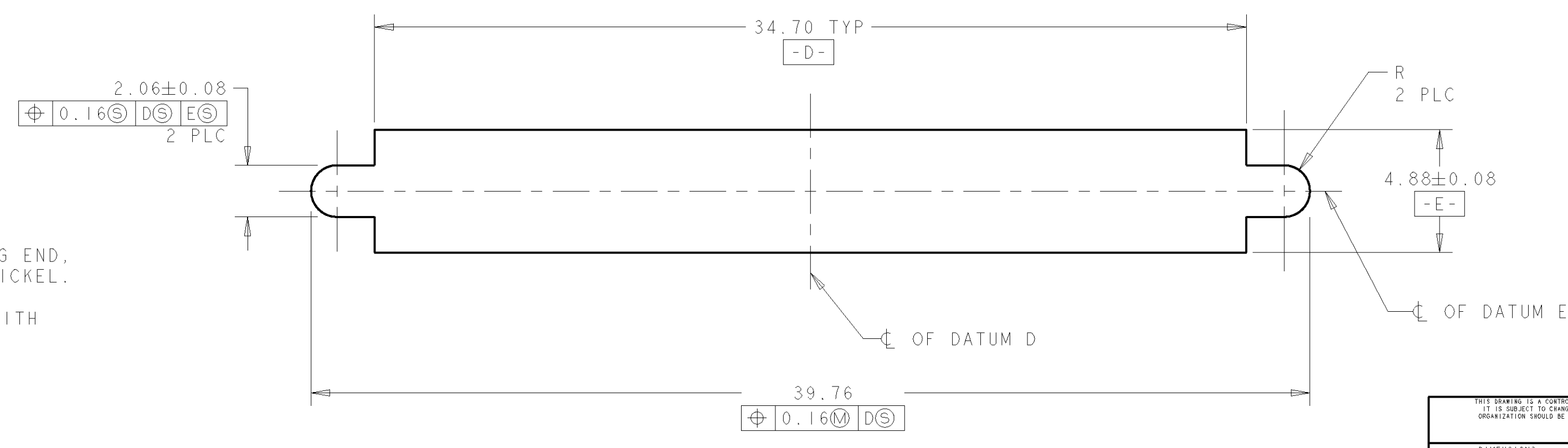


PC BOARD MOUNTING DIMENSIONS  $\Delta 3$



DETAIL Z SCALE 10:1

- $\Delta 1$  HOUSING & PIN SPACER: THERMOPLASTIC, BLACK, UL 94V-0 RATED. SHELL: CARBON STEEL. CONTACTS: PHOSPHOR BRONZE. BRACKETS: NICKEL SILVER.
- $\Delta 2$  SHELL: 5.08  $\mu$ m MIN NICKEL OVER 6.35  $\mu$ m MIN COPPER. CONTACTS: 0.076  $\mu$ m MIN GOLD OVER 0.76  $\mu$ m MIN PALLADIUM NICKEL ON MATING END. 3.75  $\mu$ m MIN TIN-LEAD ON OPPOSITE END, BOTH OVER 1.27  $\mu$ m-2.03  $\mu$ m NICKEL.
- $\Delta 3$  BRACKETS AND CONTACTS DESIGNED FOR USE ON 1.60  $\pm$  0.15 THICK PC BOARD WITH PLATED THRU MOUNTING HOLES.
- $\Delta 4$  RECEPTACLE ASSEMBLY DESIGNED FOR USE WITH 1.12  $\pm$  0.08 THICK PANEL.
- $\Delta 5$  DATUMS AND DIMENSIONS ESTABLISHED BY CUSTOMER.
- $\Delta 6$  POSITION TOLERANCE APPLIES AT CONTACT TIP ONLY.
- $\Delta 7$  BRACKETS AND CONTACTS DESIGNED FOR USE ON 2.35  $\pm$  0.15 THICK PC BOARD WITH PLATED THRU MOUNTING HOLES.



PANEL CUT-OUT DIMENSIONS  $\Delta 4$

REMARKS	KINKED LEGS	F	PART NUMBER
$\Delta 3$	NO	2.27	796055-3
$\Delta 7$	YES	3.55	796055-2
$\Delta 3$	YES	2.27	796055-1

<small>THIS DRAWING IS A CONTROLLED DOCUMENT FOR AMP INCORPORATED. ALL DIMENSIONS ARE IN MILLIMETERS UNLESS OTHERWISE SPECIFIED. ORGANIZATION SHOULD BE CONTACTED FOR THE LATEST REVISION.</small>		DWN: S. WELDON 06APR98 CWR: R. STONE 09APR98 APPD: T. BARR 09APR98	<b>AMP</b> AMP Incorporated Harrisburg, PA 17105-3608
DIMENSIONS: mm 	TOLERANCES UNLESS OTHERWISE SPECIFIED: 0 PLC $\pm$ 1 PLC $\pm 0.13$ 2 PLC $\pm$ 3 PLC $\pm$ 4 PLC $\pm$ ANGLES $\pm 1^\circ$	PRODUCT SPEC APPLICATION SPEC WEIGHT MATERIAL FINISH	NAME: RECEPTACLE ASSEMBLY, 68 POSITION, SHIELDED, RIGHT ANGLE, CHAMP 0.8mm SIZE: 00779 CASE CODE: C=796055 SCALE: 6:1 SHEET: 1 of 1 REV: B
CUSTOMER DRAWING		RESTRICTED TO	